

8500 Rocker Switches - Miniature

10A 250Vac Single & Double Pole



- ▶ Miniature rocker switch
- ▶ Ratings up to 15A, 250Vac
- ▶ High in-rush tolerance
- ▶ Single & double pole in same body size
- ▶ Illuminated & non-illuminated
- ▶ Matching indicators
- ▶ Industry standard panel cut-out
- ▶ Rotary and push button accessories



10(6)A 250Vac T125 (non lit types)
6(4)A 250Vac T125 5E4 (50,000 Operations) (non lit types)
10(6)A 250Vac T100 (lit types)



UL CSA 15A Non Ind 250Vac, 14A Ind 250Vac, 10A 277Vac
UL CSA 250Vac 1/2hp, 125Vac 1/4hp
UL 105°C, file E45221, CSA file LR10990

In house test

Inrush 85A to EN61058-1 & 10A 28Vdc



RoHS compliant

3mm contact gap.
 Technical data on pages 4 & 5 (switches), 66 (indicators).

H 8550 V B ---

TERMINAL FUNCTION ROCKER BODY PRINT, COLOUR, VOLTAGE ETC

TERMINAL	FUNCTION	ROCKER
H 4.8 x 0.8	Approvals & ratings vary with function ON OFF Switches are ON when pressed over terminal 1	H Slotted for custom adaptors Slots for snap-in buttons
K 2.8 x 0.8	8500 ON - OFF Single pole (Uses terminals 1a & 2a)	R Semi-rotary (not lit)
L 2.8 x 0.8 Right angle version of K terminal available on 8500 only	8503 ON (lit) - OFF Single pole	D Paddle lever (not lit)
R 4.8 x 0.8	8550 ON - OFF Double pole	V Curved (not lit) V Curved (lit)
T 4.8 x 0.8 Solder	8553 ON (lit) - OFF Double pole	X Two colour (not lit) A Softline lens
8580 Available with H terminals only	 Indicator	P Push button operation (8500 only) See drawing opposite





H8500VB ---
T8500VB ---



H8550VB ---
T8550VB ---



H8550HB ---
T8550HB ---



H8550XB ---
T8550XB ---



H8550RB Semi-rotary
A splash proofing option



H8500PO ---



H8553VB ---
T8553VB ---



H8580AB ---

BODY

B
Standard body with terminal barrier

Panel cut-out Bezel

BC
Body without terminal barrier

Panel cut-out Bezel

Dimensions for snap-in fixing

Panel thickness	Dim X
0.75-1.25	19.1/19.2
1.25-2.00	19.3/19.4
2.00-3.00	19.7/19.8

Cut-outs must be punched in the direction of insertion

OPTIONS

Finish
Matt finish only.

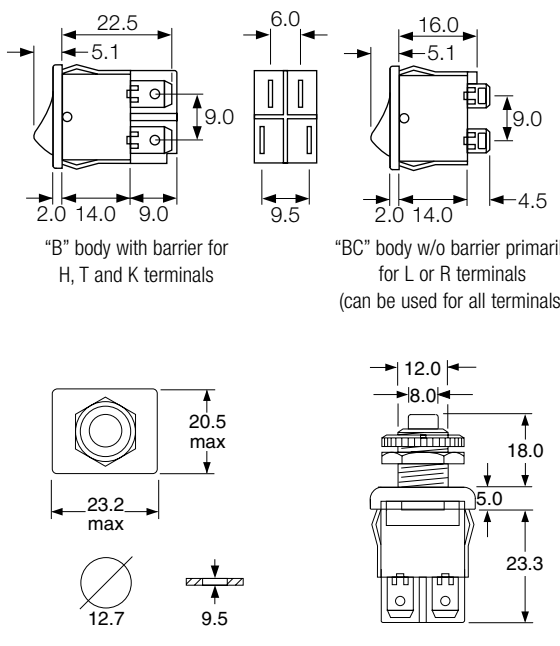
Colour
Call factory for custom colours.
A full range is available for large orders.

Legend printing
Select from the examples or call the factory for custom legends.

Lamp voltage
Call factory for details of available voltages.

Protective cover L167
(designed to IP65)
Snaps on to bodies with V or X style rockers and A style lens, this reduces maximum acceptable panel thickness to 2.2mm.

DIMENSIONS (mm)



Examples of printing

